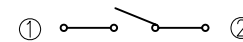


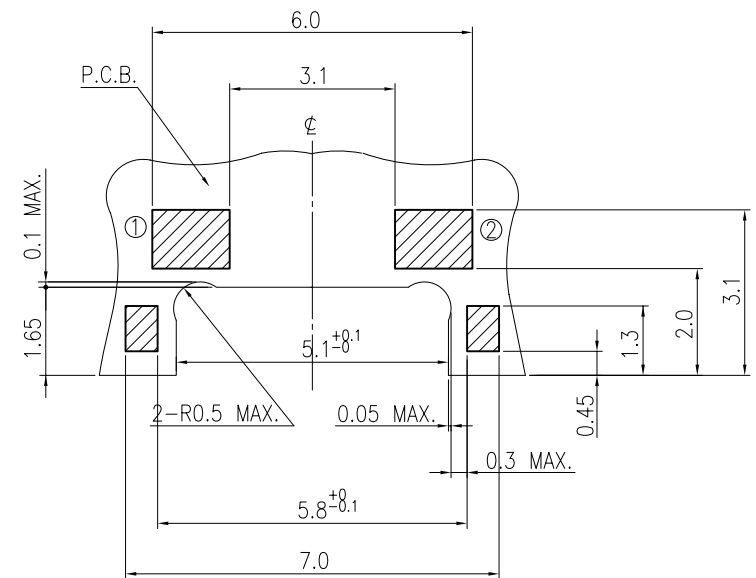
REVISIONS							
SYM	DESCRIPTION	DATE	APPROVED	SYM	DESCRIPTION	DATE	APPROVED
△	FOR無齒.(NTC002-ECO_07111901)	2007.11.13	Jane Shen				

SPECIFICATIONS			
RATING	DC15V 20mA	TIMING	
CONTACT RESISTANCE	100mΩ MAX.	OPERATION (TORQUE)	120±50 gf
INSULATION RESISTANCE	DC100V - 100MΩ MIN.	STROKE (ANGLE)	0.15±0.1 mm
WITHSTAND VOLTAGE	AC250V - 1 MINUTE	CONTACT RESISTANCE	2Ω MAX.
REMARKS:		(AFTER 1,000,000 CYCLES LIFE TEST)	

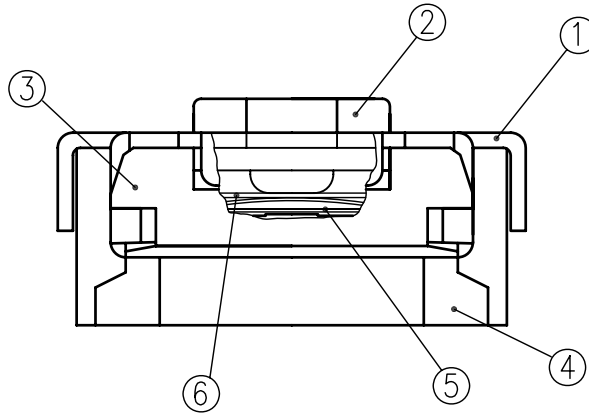
SCHMATIC



P.C.B MOUNTING PLAN



TOLERANCES UNLESS OTHERWISE SPECIFIED ±0.1			SIGNATURES		DATE	MODEL
	UNIT	SCALE	DRAWN	Jane Shen	2008.01.21	TITLE TACT SWITCH
	mm	10/1	CHECKED	Max Chen	2008.01.21	
			REVIEWED	Ken Lin	2008.01.21	NO. NTC302-AA1G-A120T △
			APPROVALS	Max Chen	2008.01.21	



6	TAPE	1	POLYIMIDE	
5	CONTACT PLATE	1	STAINLESS STEEL PLATE	Ag-CLAD
4	TERMINAL	2	COPPER ALLOY	Ag-PLATING or Ag-CLAD
3	FRAME	1	LIQUID CRYSTAL POLYMER + GLASS FIBRE	BLACK COLOR
2	STEM	1	LIQUID CRYSTAL POLYMER + GLASS FIBRE	BLACK COLOR
1	COVER	1	STAINLESS STEEL PLATE	Ag-PLATING
NO.	PART NAME	Q'TY	MATERIAL	SPECIFICATION

				SIGNATURES	DATE	M O D E L
				DRAWN Jane Shen	2008.01.21	TITLE TACT SWITCH NO. NTC302-AA1G-A120T DWG NO. TC302-01
				CHK'D Max Chen	2008.01.21	
				REV'D Ken Lin	2008.1.21	
				APP'D Fred Chen	2008.01.21	
SYM	DESCRIPTION	DATE	APPROVED			
HUAI YANG CO.,LTD. 淮洋有限公司 TEL:886-2-8261-0858						